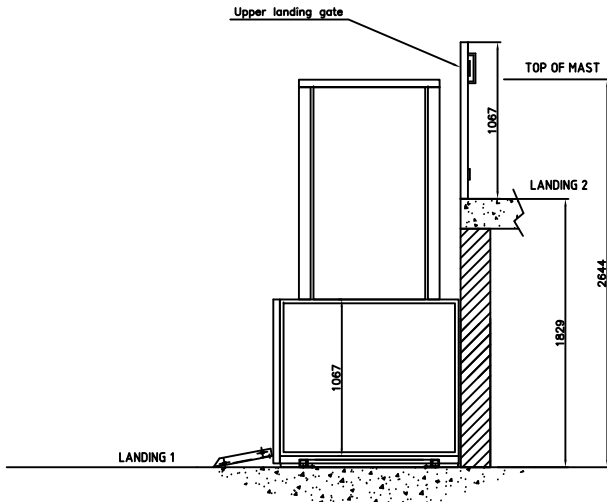
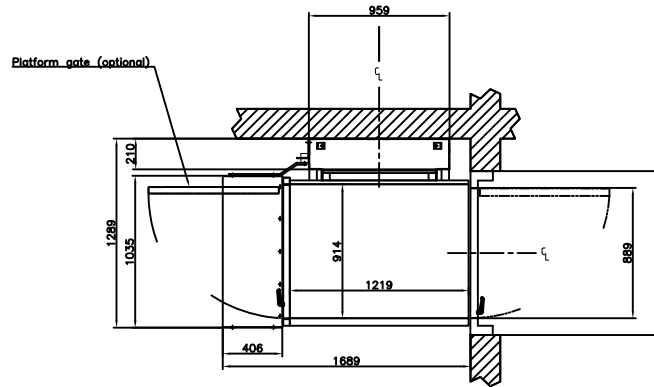


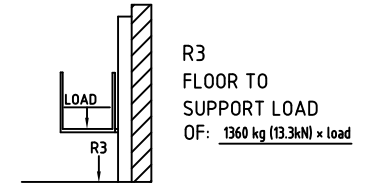
Side view for Elevex Typ 2



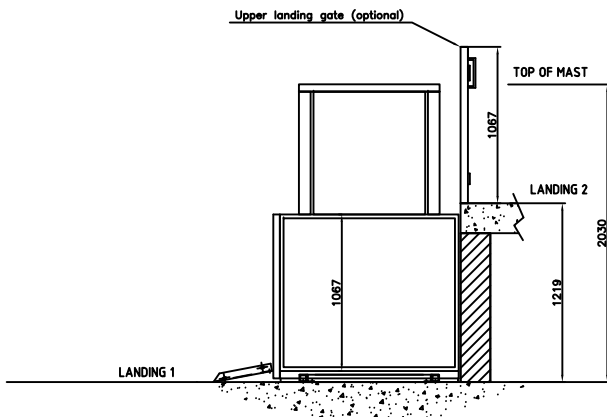
Plan view for Elevex Typ 1 and 2



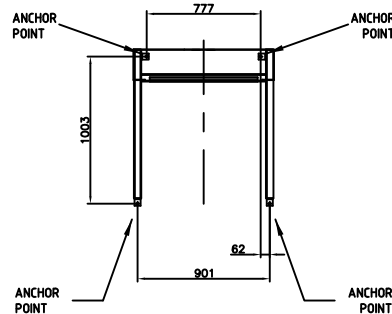
Forces



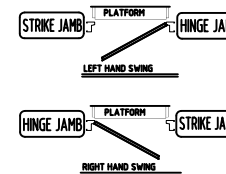
Side view for Elevex Typ 1



4 Anchor points



Door openings



Provisions by others

HOISTWAY - THE HOISTWAY MUST BE DESIGNED AND BUILT IN ACCORDANCE WITH NATIOAN AND EUROPEAN PLATFORM LIFTS AND STAIRWAY SAFETY STANDARDS

PLUMB RUNWAY - DUE TO CLOSE RUNNING CLEARANCES OWNER/ AGENT MUST ENSURE THAT HOISTWAY AND PIT (WHERE PROVIDED) ARE LEVEL, PLUMB (3 mm) AND SQUARE AND ARE IN ACCORDANCE WITH THE DIMENSIONS ON THESE DRAWINGS.

MINIMUM OVERHEAD CLEARANCE - OWNER/AGENT MUST ENSURE MINIMUM OVERHEAD CLEARANCE IS IN COMPLIANCE WITH CODES.

CONSTRUCTION SITE - OWNER/AGENT TO PROVIDE ALL MASONRY, CARPENTRY AND DRYWALL WORK AS REQUIRED AND SHALL PATCH AND MAKE GOOD (INCLUDING FINISH PAINTING) ALL AREAS WHERE WALLS/FLOORS MAY REQUIRE TO BE CUT, DRILLED OR ALTERED IN ANY WAY TO PERMIT THE PROPER INSTALLATION OF THE LIFT.

DIMENSIONS - CONTRACTOR/CUSTOMER TO VERIFY ALL DIMENSIONS AND REPORT ANY DISCREPANCIES TO OUR OFFICE IMMEDIATELY.

FLOOR/SUPPORT WALL LOADS - STRUCTURAL ENGINEER TO ASSURE THAT BUILDING AND SHAFT WILL SAFELY SUPPORT ALL LOADS IMPOSED BY THE LIFT EQUIPMENT. REFER TO THE LOAD DIAGRAM ON THIS DRAWING.

UPPER LANDING GATES - WHERE REQUIRED, SMOOTH SOLID BARRIERS ARE TO BE SUPPLIED AND INSTALLED ON BOTH SIDES OF ENTRANCE AT UPPER LEVEL AND MUST BE A MINIMUM OF 1067 mm HIGH. ENTRANCE ASSEMBLY MUST BE IN PLACE PRIOR TO THIS PROVISION.

| | | | |
|------------------|------------------|--------------|-----------|
| Loading capacity | 340 kg | Power supply | 1 x 230 V |
| Lifting height | 1219 / 1829 mm | Rated speed | 0,04 m/s |
| Drive system | ACME Screw drive | Power input | 0,75 kW |

| | | | |
|-------|-------|------|------------------|
| Index | Datum | Name | Art der Änderung |
| | | | |
| | | | |
| | | | |

Vertical Lifting Table **ELEVEX 1 & 2**